

GENERAL PROPERTIES

Tecno Easy

GENERAL PROPERTIES

Type	PRE-U3 - Target value via voltage
Function	Proportional 3/2-way NC
Actuation type	Piezoelectric pilot
Constructive structure	Seat valve
Connection type	Flange ¹⁾
Weight	0.100 kg
Installation position	Any
Protection type	IP 30 (DIN EN 60529 A1: 2000)
Storage temperature	-20 °C to +60 °C
Ambient temperature	0 °C to +50 °C
Medium temperature	0 °C to +50 °C
Material housing	PA-GF
Materials in contact with media	CuZn; CuNi
Material seals	NBR; ECO
Behavior in case of energy failure	Port 2 venting
RoHS-Conformity	RoHS 2011/65/EU
Media ²⁾	Compressed air and neutral gases
Media quality	According to ISO 8573-1:2010 (6:3:4)
Flow direction on	From 1 to 2
Flow direction off	From 2 to 3

¹⁾ Base plates for threaded connection see accessories

²⁾ Other media only after approval by the manufacturer

PNEUMATIC PROPERTIES

Tecno Easy

PNEUMATIC PROPERTIES

TECNO EASY	0–8 BAR
Input pressure min ($p_{1_{\min}}$)	1.5 bar
Input pressure max ($p_{1_{\max}}$)	10 bar
Output pressure min ($p_{2_{\min}}$)	0 bar
Output pressure max ($p_{2_{\max}}$)	8 bar
Nominal flow rate 1 to 2 (Q_N) ¹⁾	200 l/min
Max. flow rate 1 to 2 (Q_{\max}) ²⁾	360 l/min
Hysteresis ³⁾	< 0.2 %
Repeatability ³⁾	< 0.2 %
Responsiveness ³⁾	< 0.1 %
Linearity ³⁾	<2.5 %
Leakage ²⁾	≤ 0.75 l/min
Own air consumption ⁴⁾	≤ 1 l/min

¹⁾ Measured at p_1 = nominal pressure and pressure drop 1 bar

²⁾ Measured at $p_{1_{\max}}$ and $p_2 = 0$ bar

³⁾ Related to final value $p_{2_{\max}}$

⁴⁾ Only with target value > 0

ELECTRICAL PROPERTIES

Tecno Easy

ELECTRICAL PROPERTIES

Type	PRE-U3
Electromagnetic compatibility (EMC)	
Immunity to interference ¹⁾	EN 61000-6-2
Emitted interference ¹⁾	EN 61000-6-4
Electrical connection	M8; 3-Pin
Supply	
Nominal voltage (U_N)	24 V DC \pm 10%
Max. residual ripple (U_N)	10%
Current consumption (I_{Bmax})	15 mA
Nominal power (P_N)	0.4 W
Target value input	
Target value setting (W)	0 to 8 V DC
Input resistance (R_e)	\geq 66 kOhm

RESOLUTION

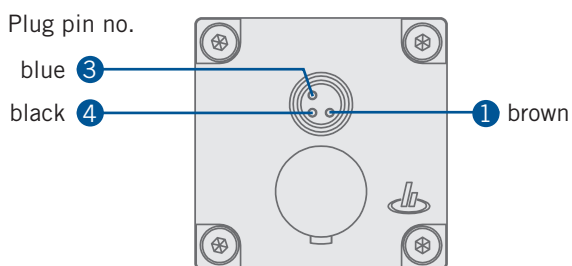
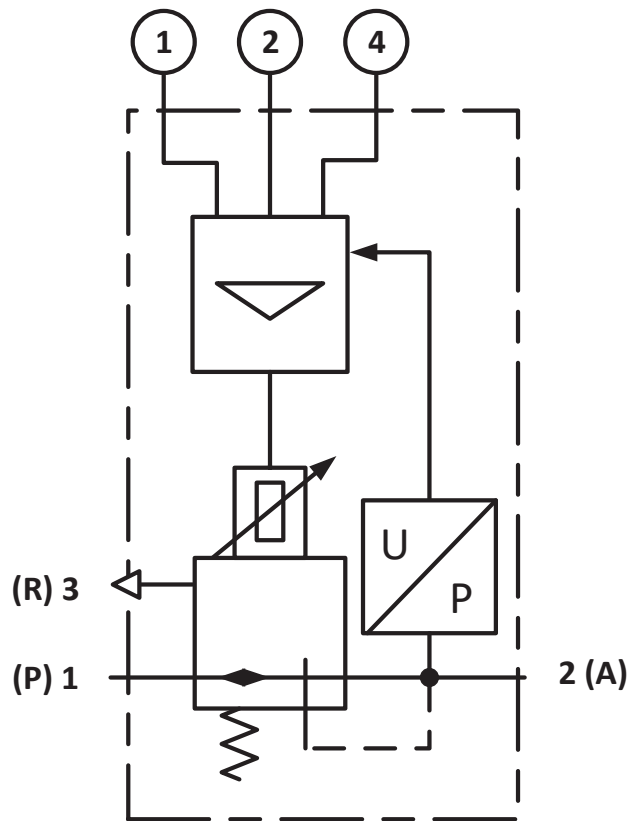
Target value input	
Resolution (W/ p_2)	1 V/bar

¹⁾ When using shielded connection cables

INTERFACES

Tecno Easy

PRE-U3



Connection diagram

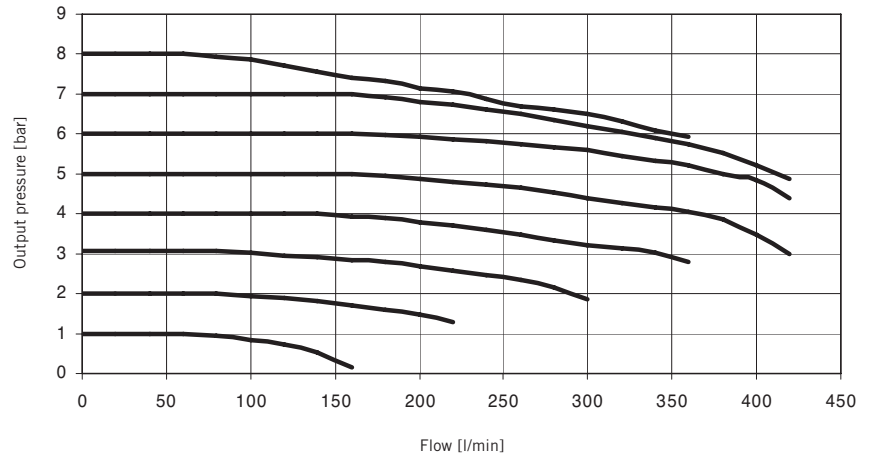
1	Power supply 24 V DC / 15 mA
3	GND target value and supply
4	Target value input (voltage)

FLOW CURVES

Tecno Easy

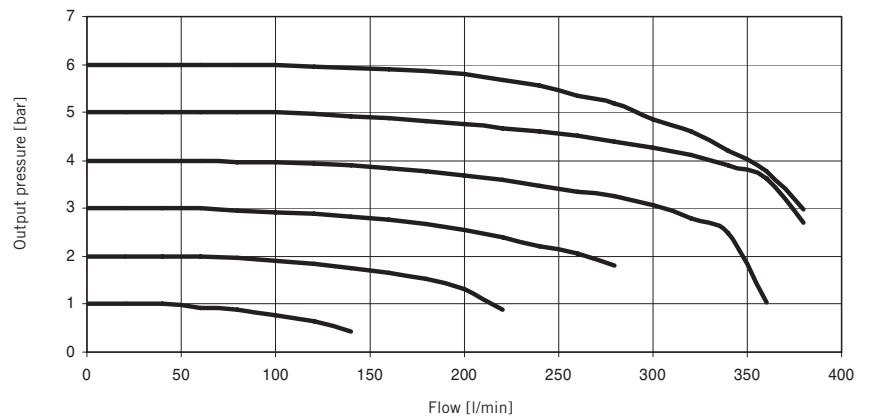
FLOW FROM 1 TO 2

Input pressure 10 bar

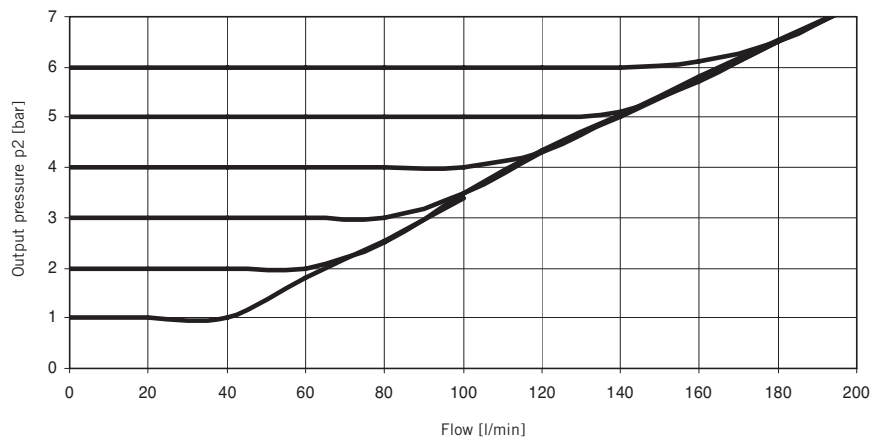


FLOW FROM 1 TO 2

Input pressure 7 bar



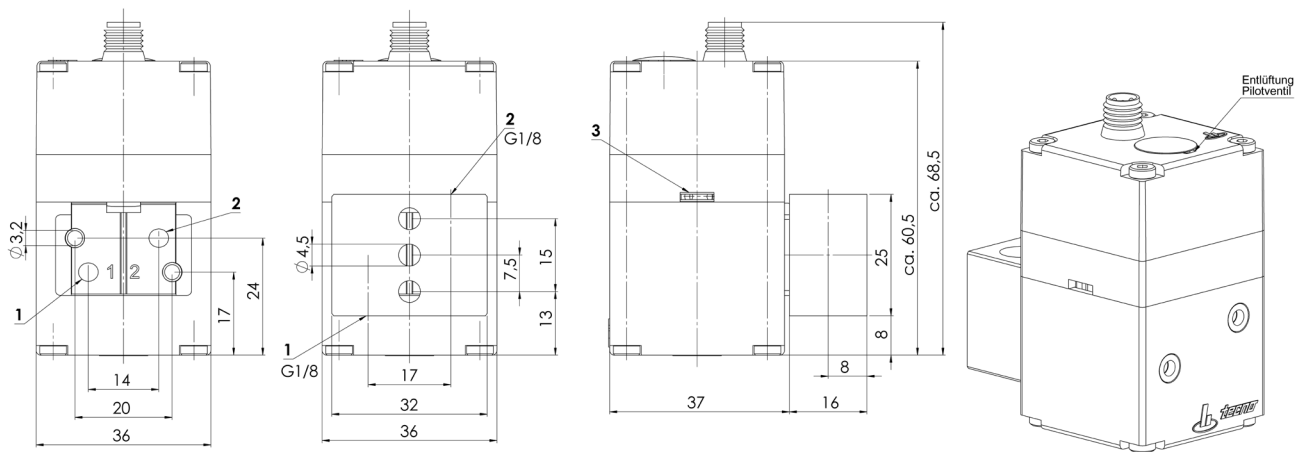
FLOW FROM 2 TO 3, EXHAUST



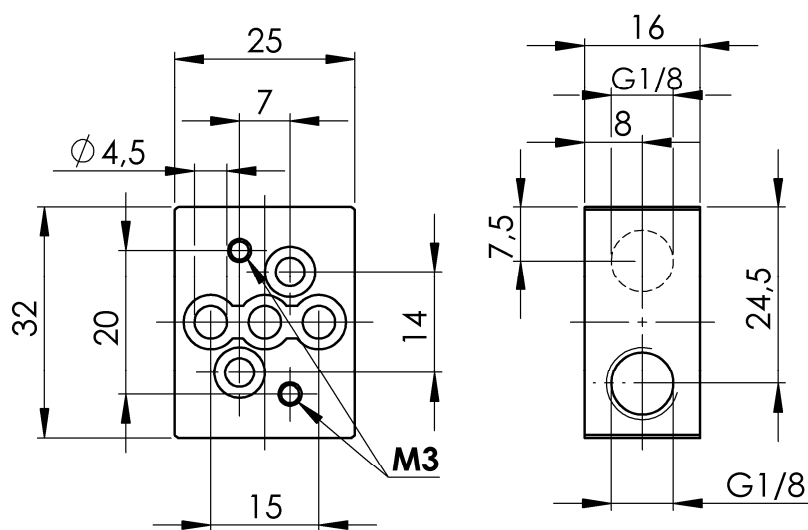
DIMENSIONS

Tecno Easy

WITH BASE PLATE



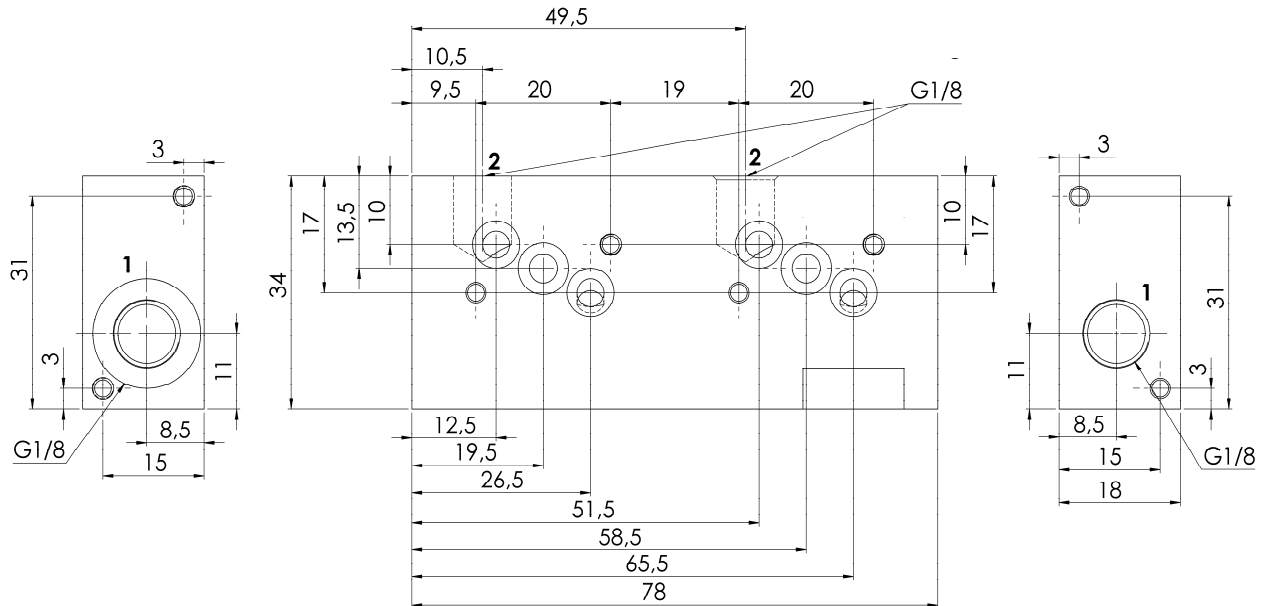
PS11112-A-01 BASE PLATE WITH FLANGE CONNECTION



DIMENSIONS

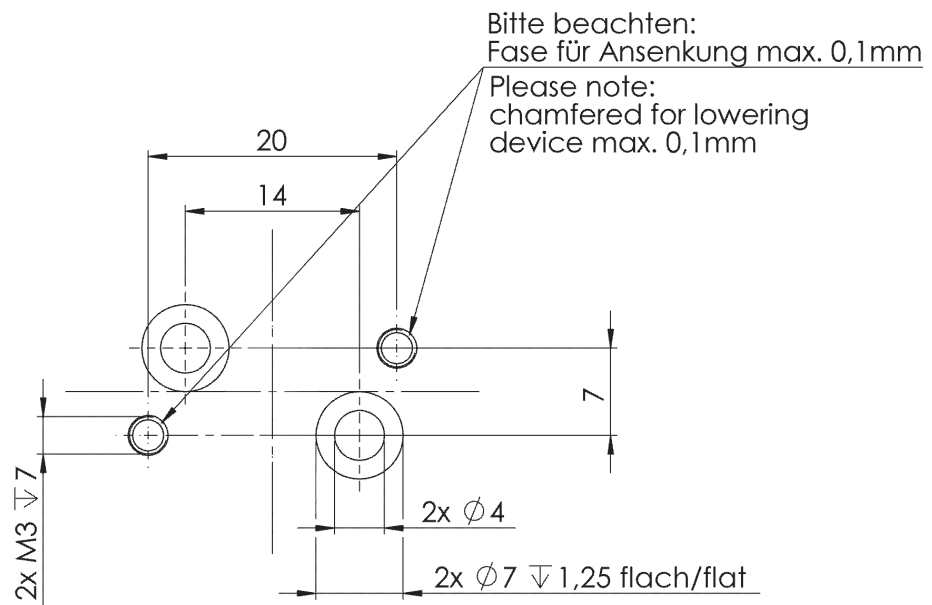
Tecno Easy

PS12407 BASE PLATE 2-FOLD, STACKABLE WITH FLANGE CONNECTION



All fastening screw thread M3

DETAIL FLANGE CONNECTION









ACCESSORIES

Tecno Easy

ACCESSORIES

ORDER NO.

	Base plate 1-fold for mounting one valve \ G 1/8"	PS11112-A-01
	Base plate 2-fold for mounting 2 valves, stackable \ G 1/8"	PS12407
	Blind plate to close flange surface base plate	PS11160
	Fastening set for DIN Rail, 35 mm, EN 60715:2001 (incl. 1 x screw M4x16)	PS12368
	Connecting cable straight with plug connector straight \ M8; 3-pole \ 5 m	KC3104
	Connecting cable angled with plug connector angled \ M8; 3-pole \ 5 m	KC3106

ORDER KEY

Tecno Easy

ID NUMBER KEY

						1		2		3	4	5			
ID NUMBER	PS	1	2	0	2	0	0	-	0	8	0	-	0	x	x
	PS	1	2	0	2	0	0	-	0	8	0	-	0	1	5

1 Valve version-Target value

00	Voltage
-----------	---------

2 Pressure range

080	8 bar
------------	-------

3 Device version

0	Standard
----------	----------

4 Connection cable*

0	Without cable and plug connector
1	Cable with plug connector straight (3 Pin)

5 Flange*

0	Without flange
5	Lateral G1/8"

* See accessories

Other variations on request

CONVERSION FACTORS

Tecno Easy

CONVERSION FACTORS

VALUE	UNIT	CONVERSION UNIT	FACTOR
Length	mm	in	0.03934
	in	mm	25.4
	m	ft	3.28084
	ft	m	0.3048
Weight	kg	lb	2.204622
	lb	kg	0.453592
Pressure	bar	psi	14.5035
	psi	bar	0.06895
	MPa	psi	145.035
	psi	MPa	0.006895
	bar	MPa	0.1
	MPa	bar	10
Temperature	°C	°F	$1.8 \text{ } ^\circ\text{C} + 32$
	°F	°C	$0.5556 \text{ } ^\circ\text{F} - 32$
Torque	Nm	ft/lbs	0.7375
	ft/lbs	Nm	1.3558

ADDITIONAL DOCUMENTATION

Tecno Easy

WWW.HOERBIGER.COM

This data sheet and additional documentation is available in the download area of the company's website.



www.hoerbiger.com

HOERBIGER Flow Control GmbH

Südliche Römerstraße 15

86972 Altenstadt, Germany

Tel. +49 (0)8861 221-0

Fax +49 (0)8861 221-1305

E-Mail: flowcontrol@hoerbiger.com

www.hoerbiger.com



TECHNICAL DATA AND ILLUSTRATIONS The technical data and figures were compiled with great care and to the best of our knowledge. HOERBIGER accepts no liability for the currentness, correctness and completeness of this information. The content of this catalog shall not be construed as a quotation in the legal sense. A written order confirmation from HOERBIGER, which is provided exclusively subject to HOERBIGER's General Sales and Delivery Terms and Conditions, shall be decisive for the execution of the contract. You can obtain these from our Sales Department or from our website at: www.hoerbiger.com. The data and information, such as figures, drawings, descriptions, dimensions, weights, materials, technical and other deliverables contained in general product descriptions, HOERBIGER catalogs, brochures and price lists in any form, as well as the described products and services are subject to change and may be amended or updated at any time without prior announcement by HOERBIGER. They are binding only to the extent that they are expressly referenced in the contract or the order confirmation. Minor deviations from such product-describing information shall be deemed accepted and do not affect the performance of contracts, to the extent they are within reason for the customer. This catalog contains no express or implied guarantees, warranted qualities, or representations and warranties whatsoever on the part of HOERBIGER for the represented products, also with regard to the availability of the products. To the extent it is allowed by law, any liability on the part of HOERBIGER is hereby excluded for direct or indirect damage, consequential damage, claims regardless of type and on whatever legal grounds, which are caused by the use of information contained in this catalog. The liability disclaimer shall not apply to deceit, intent or gross negligence, injury to life, limb or health, or where unlimited liability is prescribed by law. Trademark, copyright and duplication The representation of industrial property rights such as brands, logos, registered trademarks or patents in this catalog shall not be construed to include the granting of licenses or rights of use. Their use is not permitted without the express written consent of HOERBIGER. The entire content of this catalog is the intellectual property of HOERBIGER. As defined by copyright, any unlawful use of intellectual property, including in extracts, is prohibited. Any full or partial reproduction, duplication or translation is only permitted with the prior written consent of HOERBIGER.